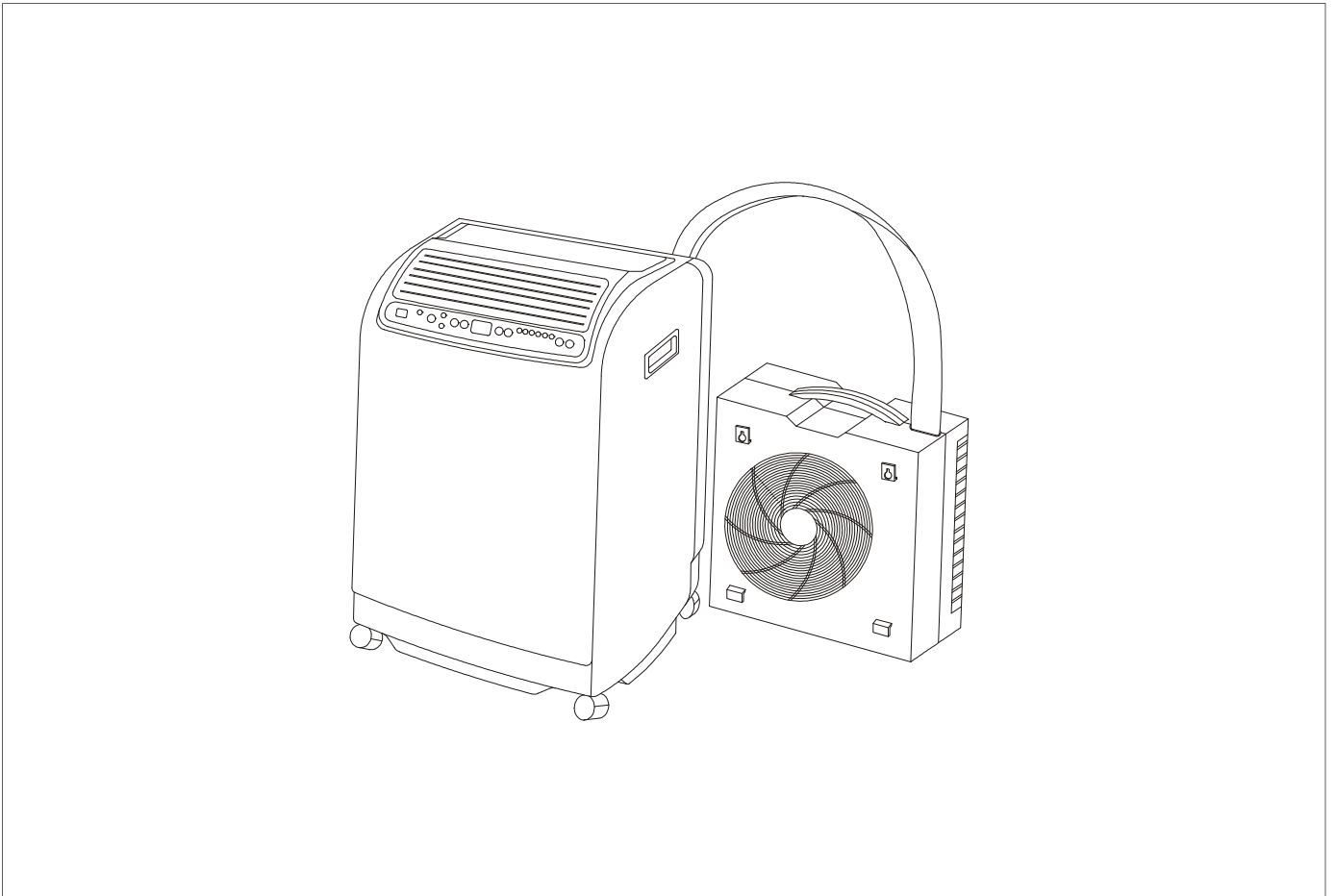




REMKO RKL 460/RKL 480/RKL 480 *S-Line* Portable Air Conditioner



**Operation
Technology
Spare Parts**

Operating Instructions

Make sure to read these instructions carefully before starting/using the unit!

Our guarantee will become void when the unit supplied by us is used and installed for inadequate purposes, or maintained incorrectly, etc., or if it is changed without our prior consent.

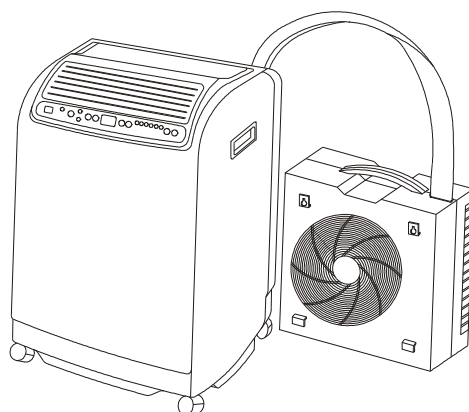
Subject to alterations!

Portable Air Conditioner

REMKO RKL 460

REMKO RKL 480 (*S-Line*)

CE



Contents	Page	Contents	Page
Safety Instructions	4	Detaching the Connecting Line	10
Transport and Packaging	4	Maintenance and Service	11
Unit Description	5	Cleaning the Dust Filter	11
Unit Functionality	5	Troubleshooting	12
Operation	5	Technical Data	12
Control Panel	6	Wiring Diagram	13
Infrared-remote Control	7	Exploded View	14
Operating Mode	7	Spare Part List	15
Installation Instructions	8	Service and Guarantee	15
Unit Shut Down	9	Environment and Recycling	15



Always keep these operating instructions near or on the unit!



Safety Instructions


Extensive tests have been conducted on the material, functionality and quality of the REMKO portable air conditioner to ensure that it is a high-performance unit with a long service life.

Hazards may nevertheless arise if the unit is used by persons not familiar with its operation or if the unit is not used for its intended purpose.

Please also make sure to follow these safety instructions.

- ◇ The indoor unit is not suitable for operation outdoors!
- ◇ The unit may only be operated within the permissible range of uses!
Pay attention to surrounding temperatures.
- ◇ Ensure that the unit is set up at a safe distance from flammable materials.
- ◇ Do not set the unit up near curtains or drapes.
- ◇ Maintain a safety zone of at least 50 cm around the unit.
- ◇ Ensure that the air intake and outlet openings are always clear of foreign objects.
- ◇ Ensure that the air conditioner is securely placed on a level surface.
The unit may only be operated in an upright position.
- ◇ Do not use the unit if it is lying on its side or in any manner deviating from these instructions.
- ◇ Do not insert any foreign objects into the air intake or outlet openings
- ◇ Do not place any heavy or warm objects on top of the unit.
- ◇ Empty the water tank before moving the unit.
- ◇ This unit may only be connected to a correctly installed, grounded and fused plug socket.
230V / 50 Hz; 10A fuse.
- ◇ Do not pull on the power cable or bend it excessively.
This may result in damage to the cable.
- ◇ Do not move the unit while in operation. Wait at least five minutes before starting the unit after it has been moved.
This may result in damage to the compressor.
- ◇ Switch the unit off by pressing the ON/OFF button. *Do not switch the unit off by unplugging the power cable.*
- ◇ When unplugging the unit, always pull the power plug. Never pull the cable.
- ◇ Do not set up or operate the unit in rooms containing explosion hazards.

- ◇ Do not set up or operate the unit in rooms containing explosion hazards.
- ◇ Do not expose the unit to direct streams of water.
- ◇ Protect all cables from damage.
- ◇ Make sure that all extension cables are suitable in terms of capacity, length and intended use.
- ◇ Do not lay any cables under carpets or rugs!
- ◇ Never open the unit housing!
This may cause an electric shock!
- ◇ Repairs may only be performed by authorised personnel!
- ◇ Never use the unit without the dust filter installed!
Without a dust filter, the plate fins of the evaporators become dirty and performance of the unit suffers.
- ◇ Never aim the air current directly at people!
- ◇ The unit should only be installed by a specialised company.

 **When the unit is in operation, do not switch it off directly at the power supply by unplugging it as this may damage the control circuit and invalidate the warranty. Always switch the unit on and off at the control panel.**

Transport and Packaging

The device is shipped in a stable transport box made of cardboard. Please examine the unit when it is delivered and make note of any damage or missing parts on the shipping bill.

Please observe the following for transport:

- ◇ Before transporting the unit, switch it off on the control panel and unplug the power cable.
- ◇ The unit may only be transported in an upright position.
- ◇ The indoor unit is equipped with wheels to make transport easier. The outdoor unit can be hooked on to the back of the indoor unit for transport.
- ◇ Make sure that the connection line does not have any kinks.
- ◇ Empty the water tank prior to transport by means of the drainage tube on the back of the unit.

Unit Description

The portable air conditioners RKL 460 and RKL 480 consist of a portable indoor unit and a weather-resistant outdoor unit (Fig. 1).

The indoor and outdoor unit are connected to one another via a flexible connecting line. The outdoor unit can be hooked onto the back of the indoor unit for transport or storage (Fig. 2).

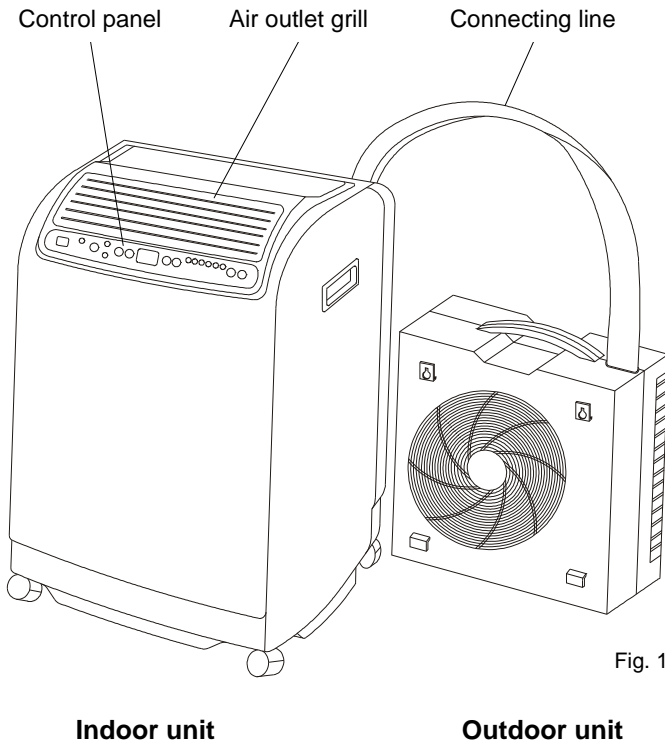


Fig. 1

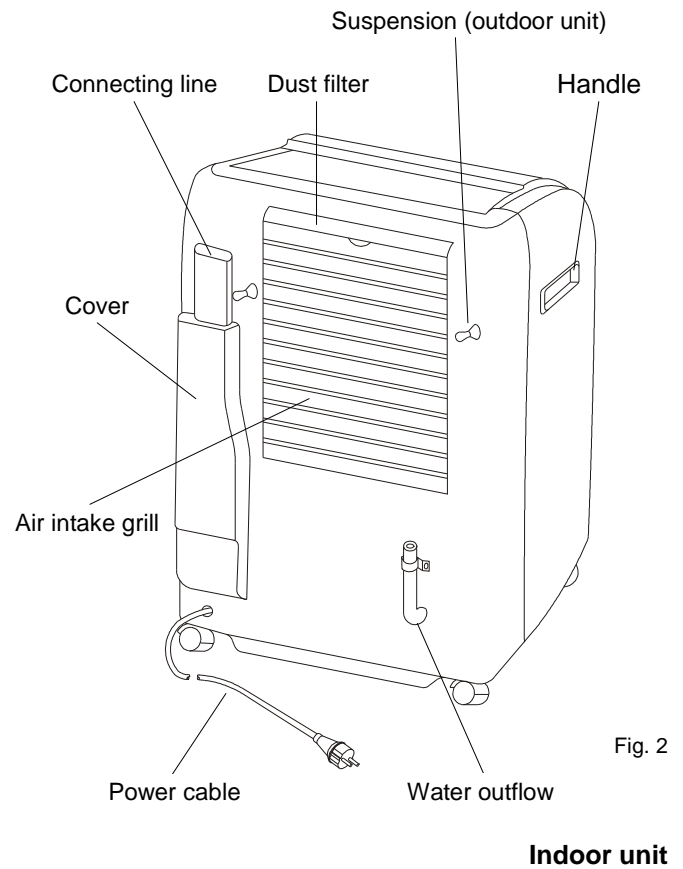


Fig. 2

Indoor unit

Unit Functionality

The unit's primary function is to air-condition rooms.

It also filters and dehumidifies the air, thus creating a comfortable climate in the room. The unit can also be used to circulate air with no cooling effect. It also has a dehumidifying mode.

The unit operates fully-automatically and offers a range of other options thanks to its microprocessor control. The unit is comfortably operated via the control panel on the indoor unit or via the infrared remote control that comes with it.

The unit is particularly suited for flexible use. The detachable connecting line lets it be installed as a stationary unit.

Operation

Prior to putting the unit into operation, ensure that all safety instructions have been observed.

Please note that the unit operates most efficiently and most comfortably when put into operation before the hottest part of the day, e.g. the morning.

The selected target temperature should be 4 to 7 °C below the outside temperature. It should never be lower because the room temperature would feel too cold when coming from a non-air-conditioned room.

The selected target temperature does not affect the performance of the unit! This means that when temperatures in the room are high, it is not practical to adjust the unit to the lowest possible target temperature.



The outdoor unit RKL 460/480 AT is only guaranteed to operate at room temperatures of 20 - 35 °C .

Control Panel

The unit may only be put into operation once it has been installed following all instructions contained in the "Safety Hints" and "Installation Instructions" sections.

1 "On / Off" button

2 "MODE" button (operating mode and fan setting)

There are 5 options available. Display **10** shows the selected operating mode.

The sequence is: AUTO→HI→MED→LO→FAN

- AUTO Cooling mode, automatic fan rotation independent of room temperature.
- HI Cooling mode, highest fan setting.
- MED Cooling mode, medium fan setting.
- LO Cooling mode, lowest fan setting.
- FAN Ventilate only, no cooling.

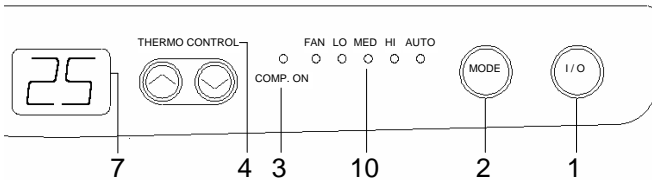


Fig. 3

3 "COMP. ON" display (compressor is running)

When the compressor is started again for a second time, a minimum of three minutes must elapse beforehand for safety reasons. During this time, the "COMP ON" display blinks.

4 "THERMO CONTROL" button (temperature selection)

After the unit has been connected to the power supply and manually switched on, the target temperature is automatically set to 25°C. This can be changed using the arrow buttons in 1°C increments between 16 and 35°C:

Left arrow button = Higher target temperature

Right arrow button = Lower target temperature

This is shown in display **7**.

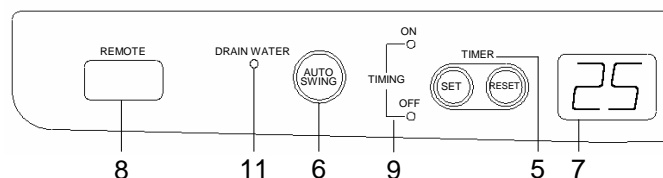


Fig. 4

5 "TIMER" button (timer clock)

The timer can be preset for a maximum of 24 hours. The amount of time is shown on display **7**. The timer has two functions:


1. Unit switches on automatically

When the unit is off, using the "SET" button, the user can enter the number of hours after which the unit is to be switched on. Each time the button is pressed, the number of hours is increased by 1. If this function is activated, "TIMING ON" **9** is lit up.

After the timer has been activated, the operating mode and target temperature can be set as described above.

2. Unit switches off automatically

When the device is on, using the "SET" button, the user can enter the number of hours after which the device is to be switched off. Each time the button is pressed, the number of hours is increased by 1. If this function is activated, "TIMING OFF" **9** is lit up.

 **To disable the timer or change the setting, press the "RESET" button.**

Information about the timer:

- ◇ If the "On / Off" button is pressed when the timer is set to switch the device off, this setting is cleared and the unit switches off.
- ◇ If the "SET" button is pressed while the timer is activated, the remaining time is shown on the display. Each time the "SET" button is pressed, the remaining time is increased by one hour.

6 "AUTO SWING" button

Pressing this button activates the automatic motion of the horizontal plate fins on the air outlet grill. Pressing this button again stops this motion.

The "AUTO SWING" function can be deactivated by repeatedly pressing this button in quick sequence to adjust the direction of the horizontal air outlet.

Never adjust the horizontal plate fins manually!

7 Display

Normally, the target temperature is displayed here. If the thermo control button or the TIMER button is pressed, the display switches for 5 seconds to the corresponding setting.

8 REMOTE-SENSOR (sensor remote control)

The unit receives the signals sent from the infrared remote control via the "REMOTE SENSOR".
Special accessory for RKL 460.

9 "TIMING ON" display

If this display is lit up, the unit will automatically be switched on after a preset amount of time.

9 "TIMING OFF" display

If this display is lit up, the unit will automatically be switched off after a preset amount of time.

10 Operating mode and fan setting display


This display provides information about the operating mode and the fan setting which have been selected.

11 "DRAIN WATER" display (Water tank full)

When the water tank is full, the "DRAIN WATER" and "MODE" displays blink and an alarm goes off. The compressor automatically switches off. After the water tank has been emptied and replaced, the unit switches back to automatic operation.

Information about the water tank:

During normal operation, the water tank will not fill up because the condensation is pumped out of the tank via the connecting line to the outdoor unit.

 **Make sure that the lower edge of the outdoor unit is 1.8 meters above the lower edge of the indoor unit.**

The water tank must be emptied when fixing malfunctions.

Proceed as follows:

1. Remove the water tank drainage tube on the back of the indoor unit from its holder.
2. Remove the sealing cap from the tube.
3. Collect the water that drains out.
4. Then reinsert the sealing cap into the tube.
5. Replace the tube into its holder.

Infrared-remote Control

All settings can also be made using an infrared remote control.

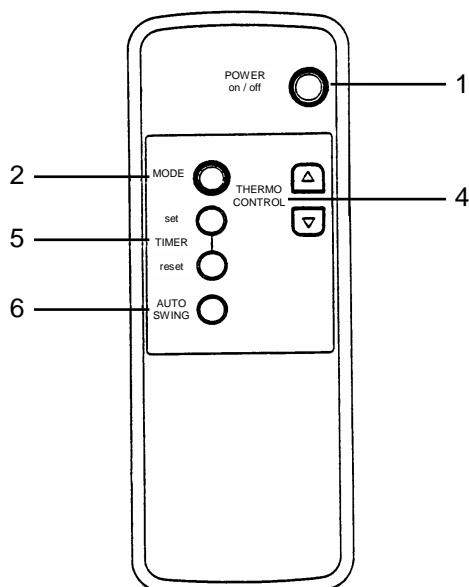


Fig. 5

A description of the button functions (see picture below) can be found in the "Control panel" section. The remote control's range is approximately 5 m.

Power is provided by two 1.5 V AAA batteries. (supplied with the remote control)

Operating Mode

Cooling

1. Switch the unit on with the "On / Off" button.
2. Set the target temperature using the arrow buttons.
3. Select the fan setting (AUTO, HI, MED or LO) with the "MODE" button.

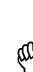
Ventilation (circulation)

1. Switch the unit on with the "On / Off" button.
2. Set the FAN operating mode with the "MODE" button.
3. Please note: in circulation mode, the outdoor unit can remain in the room. But do not attach the outdoor unit to the indoor unit.

Dehumidifying

Set up the indoor unit and the outdoor unit in the room to be dehumidified.

1. Make sure that the indoor unit is not drawing in warm air from the outdoor unit.
2. Do not attach the outdoor unit to the indoor unit.
3. **Please note:** the condensation which forms during dehumidifying may not be pumped to the outdoor unit because otherwise it would be expelled to the air in the room or would drip out of the outdoor unit.
4. Remove the water tank drainage tube from the back of the indoor unit from its holder and remove the sealing cap.
5. Guide the condensation at an incline to a drain or a container.

 **Make sure that the external container does not overflow!**
This may cause water damage.

6. Switch the unit on with the On / Off button.
7. Set the unit to the lowest target temperature with the temperature selector button.
8. Using the MODE button, set the lowest fan speed. *LO.*

Installation Instructions


The standard unit is equipped with a connecting line between the indoor unit and the outdoor unit which makes it ready for operation.

It comes with various accessories for assembling the outdoor unit.

There are different ways to set up the indoor unit and outdoor unit which are described in the following section.

Indoor unit

The inner unit is installed in the desired location with the air outlet side facing the room. When installing the unit, make sure to comply with the safety instructions.

 **There must be a minimum of 20 cm between the back of the unit (air intake) and the wall.**

Connecting line

The connecting line can be guided to the outside through a partially opened window or door. The connecting line can be detached from the indoor unit which means that it can also be guided through a wall lead-through (\varnothing min. 60 mm).

When laying the connecting line, follow these instructions:

- ◇ The connecting line may never be pinched or bent.
- ◇ The connecting line may not be pulled or subject to any other mechanical force.
- ◇ To prevent the formation of condensation, the hose insulation and the protective cover may not be damaged.

Outdoor unit


The outdoor unit expels the heat transported out of the room to the outside air. To perform this function, the outdoor unit can either be placed on the floor or hung on an outside wall.

Floor installation

To set up the outdoor unit on a terrace or balcony, it is not necessary to use fasteners.

The outdoor unit must be placed horizontally and protected from direct sunlight. A minimum distance of 20 cm must be maintained between the air intake side and the wall.

Air must be able to flow freely out of the unit (min. 50 cm distance to other objects). The connecting line is guided through an opening in a door or window (Fig. 6 and 7).

 **Make sure to maintain the minimum distances. The air coming out of the indoor unit and the outdoor unit may not be blocked.**

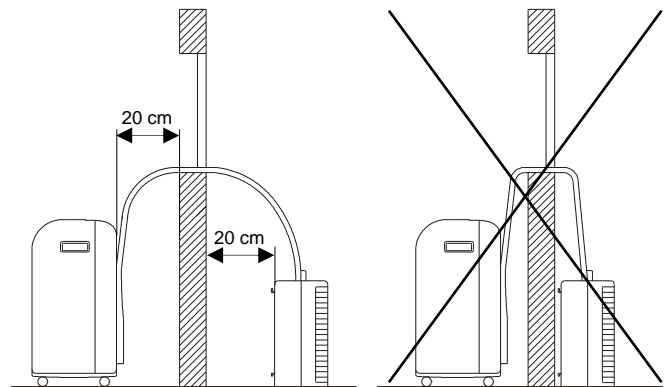


Fig. 6

Fig. 6a

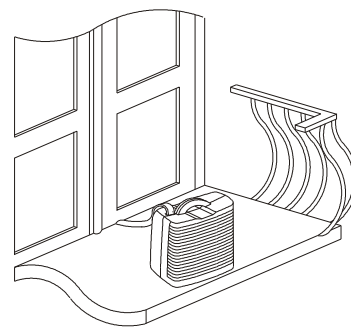


Fig. 7

Mounting on the outside wall with wall holder

1. Attach the supplied wall holders to the wall.
2. Hang the outdoor unit in the wall holders and secure it with the screws supplied M4 (Fig. 8 and 9).

The wall holders can be attached with the fasteners supplied (dowel 6 mm and screws). If these are not suitable for the material the wall is made of, fastening units with adequate retention force are to be placed.

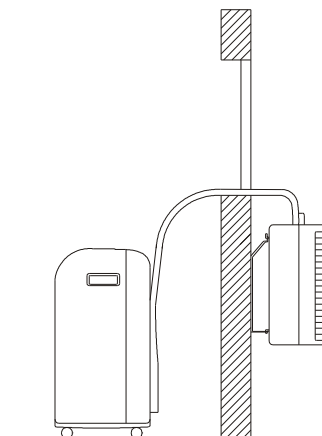


Fig. 8

When mounting the holder, make sure that the line is not placed under any strain and that the insulation is not damaged.

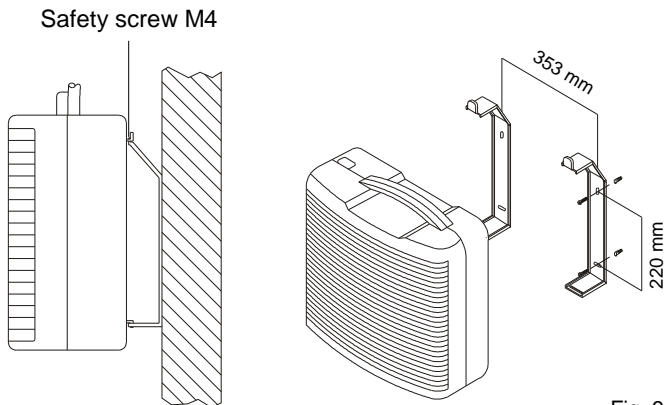


Fig. 9

Mounting on an outside wall with straps

Another way to attach the outdoor unit to a wall or to a parapet in the outer area is to use straps.

1. Hook the wall holders onto the outdoor unit and secure them with the M4 safety screws.
Here, the wall holders maintain the proper distance to the wall.
2. Hook one end of the strap into the fastening loops on the outer part with the snap hook.
3. Hang the other end of the strap into the loop screws attached to the wall or parapet (Fig. 10).
Make sure the fasteners are securely attached.

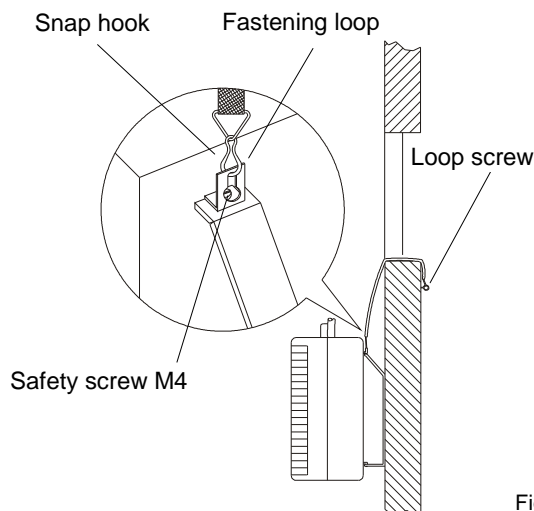


Fig. 10

Mounting height

The outdoor units (lower edge) may only be mounted a maximum of 1.8 m above the setup height of the indoor unit (Fig. 11).

The condensation pump is only guaranteed to pump condensation that builds up in the indoor unit to the outdoor unit up to this height.

If the outdoor unit is mounted below the setup height of the indoor unit, a distance of 1.5 m may not be exceeded.

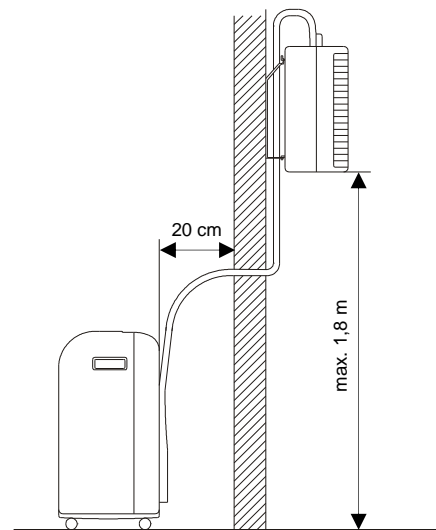


Fig. 11

Depending on the weather, water may drain out of the water outlet on the back of the outdoor unit. This is a normal occurrence.
 👉 **Select the location for mounting the outdoor unit in such a way that the outcoming water does not cause any damage.**

Unit Shut Down

To shut down the unit, always switch it off with the On / Off button on the control panel. Only now can you unplug it on the power supply.

Never shut the running unit off by pulling the power plug.

Storage

If the unit is to be taken out of operation for a longer period of time, for example, over the winter, proceed as follows:

1. Empty the internal water tank via the water drainage tube on the back of the indoor unit.
2. To do this, remove the tube from its holder and remove the sealing cap.
3. Collect the water that drains out.
4. Reinsert the sealing cap and place the tube securely in its holder.
5. Let the unit run for approximately 3 hours in circulation mode.
This removes any remaining moisture from the unit.
6. Switch the unit off with the On / Off switch.
7. Unplug the power cable and wind it up.
It can be attached to the back of the indoor unit.

8. Clean the dust filter and the plastic surfaces.
9. Hang the outdoor unit onto the indoor unit.
10. Protect the unit from dust with a plastic tarp.
11. Store the unit in a cool, dry place that is protected from sunlight.

Detaching the Connecting Line

The connection line is connecting to the indoor unit by quick-release fasteners. These make it possible to detach the connecting line from the indoor unit for assembly purposes without any coolant draining out.

 **To safely detach the connecting line, make sure to observe the following instructions.**

During the entire process, the unit must be unplugged from the power source! It may only be put back into operation when all connections have been re-established and tested. The fasteners and all covers must be reattached prior to operation.

You must proceed as follows:

1. Switch the unit off.
2. Unplug the unit from the power supply.
3. Remove the 2 screws on the cover on the back of the unit (Fig. 12).
4. Remove the cover from the unit.

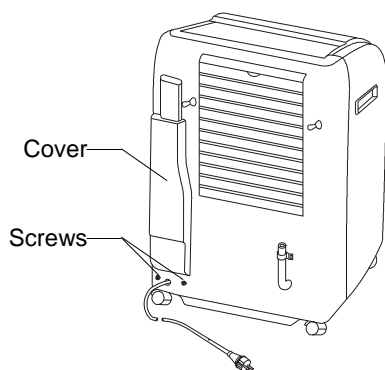



Fig. 12

5. Unscrew the fastening clamp of the connecting line. See Fig. 13.
6. Press on the lug on the side of the connector and remove the connector from the socket.
7. Remove the upper part of the holder by unscrewing the two screws.
8. Pull the water tube out.

 **It is possible that any remaining water will come out of the water tube.**

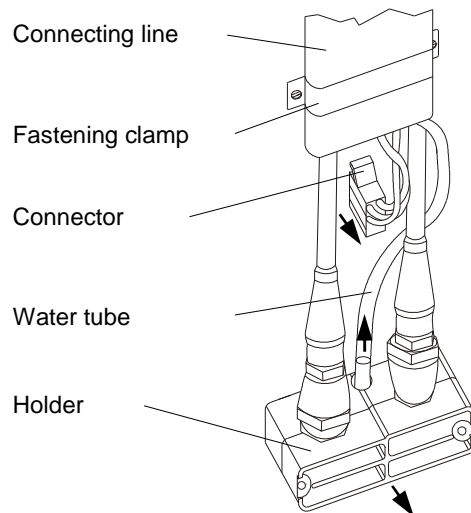


Fig. 13

9. Unscrew the left cap nut with the wrench supplied SW 24. *Make sure to apply counter-pressure on the lower coupling with the second wrench SW 21 (Fig 14).*
Never turn the inflexible lower part!
10. Keep turning until the connection is detached. *Should refrigerant leak out with a slight hissing noise, keep turning the screws.*

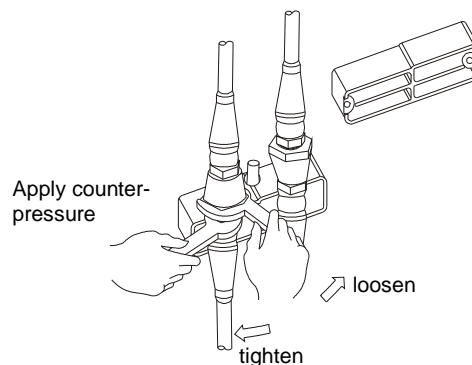


Fig. 14

11. Unscrew the right cap nut with the wrench supplied SW 24. *Make sure to apply counter-pressure on the upper coupling with the second wrench SW 21 (Fig. 15).*
Never turn the inflexible upper part!
12. Keep turning until the connection is detached. *Should refrigerant leak out with a slight hissing noise, keep turning the screw.*

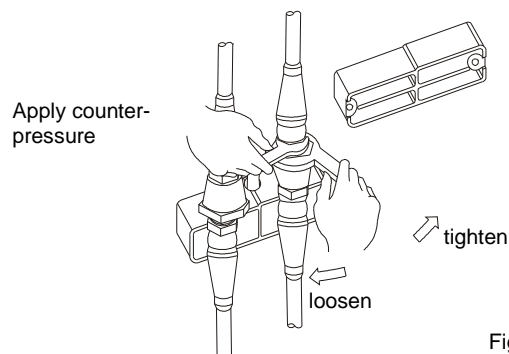


Fig. 15

13. Screw the supplied protective caps onto the 4 coupling halves (Fig. 16).

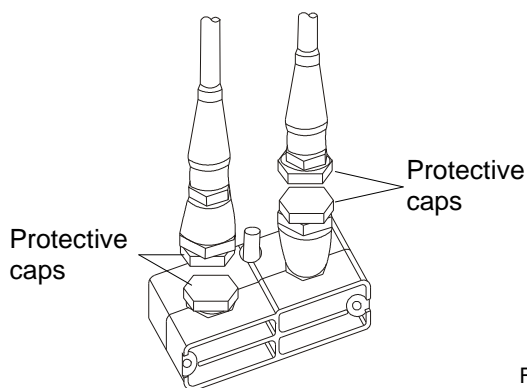


Fig. 16

14. Provide for a wall lead-through \varnothing 60 mm .
15. After setup or assembly of the indoor unit and outdoor unit, the connecting line is attached to the indoor unit in the reverse order (Points 12 to 1).
16. After attaching the connection, make sure that the couplings are tightly sealed.

Comments about detaching the connection line:

- ◇ The units may only be detached right before mounting and they should only remain disconnected as long as absolutely necessary.
- ◇ Before the lines are reconnected, make sure that no dirt, moisture or other foreign matter has adversely affected proper functioning of the couplings.
- ◇ Reattach the fastening clamp after the lines have been connected.
- ◇ The lines should only be detached and reconnected by authorised personnel.
- ◇ The unit can be detached and reconnected approximately 10 times when done properly without any noticeable decline in cooling performance.

Maintenance and Service

Regular care and the observation of a number of basic rules will ensure the dehumidifier's long service life and reliable operation.

The unit should be inspected and cleaned thoroughly after each long period of operation, at a minimum once a year.

All moving parts have been permanently lubricated.

The complete cooling system is a closed-loop system that requires little maintenance. **It may only be serviced by authorised repair centres.**

- ◇ The unit may only be cleaned with a clean, soft and slightly damp cloth which is used to carefully wipe the dirt from the surface.
- ◇ Only use warm water.
Maximal 40 °C warm.
- ◇ Thoroughly clean the air output and intake openings on a regular basis.
In our experience, this is the first place where dirt accumulates.
- ◇ Never forget to clean the water tank on a regular basis.
- ◇ Do not use aggressive cleansers or cleaning products containing solvents.
- ◇ Never clean the unit under a stream of water.

Cleaning the Dust Filter

The indoor unit is equipped with a dust filter. It can be pulled out of the back of the unit. The dust filter must be cleaned at regular intervals.

To clean the dust filter, proceed as follows:

1. Remove the dust filter. (Fig. 17).
2. Clean the dust from the filter.
If the filter is only slightly dirty, you can use a vacuum cleaner.

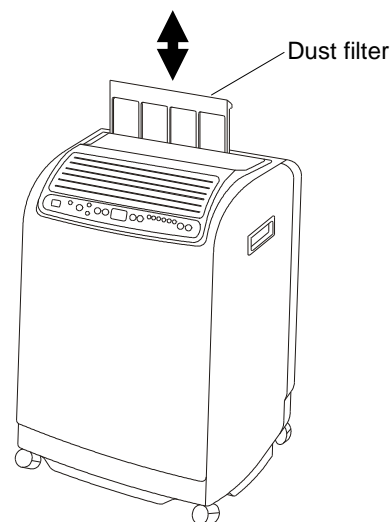


Fig. 17

3. If the dust filter is very dirty, clean it carefully in warm water.
4. Then let the filter air dry.
5. Reinsert the filter into the unit
In case of extreme dirt the dust filter is to be replace.

Never use the unit without installed dust filter!
Without a dust filter the plate fins of the evaporators would become dirty and the capacity of the unit would be decreased.

Troubleshooting

Repairs of the cooling and electrical systems may only be performed by an authorised service centre! Always remove the power plug from the plug socket when working on the unit!

This unit has been designed based on state of the art manufacturing methods and it has been tested repeatedly to ensure that it is working properly. However, should problems occur, refer to the following list.

Should the unit still not work after performing these functional checks, please contact an authorised service centre.

Problem	Possible cause	Remedy
The unit does not start	Power failure.	Check voltage and wait for the unit to start again.
	Defective power fuse / main switch is off	Replace power fuse. Switch on main switch.
	Power supply line damaged.	Maintenance by authorised personnel.
	Water tank is full. "DRAIN WATER" LED lit up.	Empty container above the water drainage tube.
	Unit is switched on with the timer function.	Press the On / Off button again.
The unit is either not cooling at all or only cooling a little bit.	Dirty dust filter, input and/or output opening blocked by foreign matter.	Clean the filter. Make sure that the input and/or output opening are not blocked.
	Temperature setting too high.	Lower temperature.
	Windows and doors open. Thermal load increased.	Close windows and doors. Reduce thermal load.
Condensation water leaks out of the unit.	The unit is not standing upright.	Place upright and make sure it is firmly in place.
	Sealing cap is not in place.	Reseal the water drainage tube tightly.

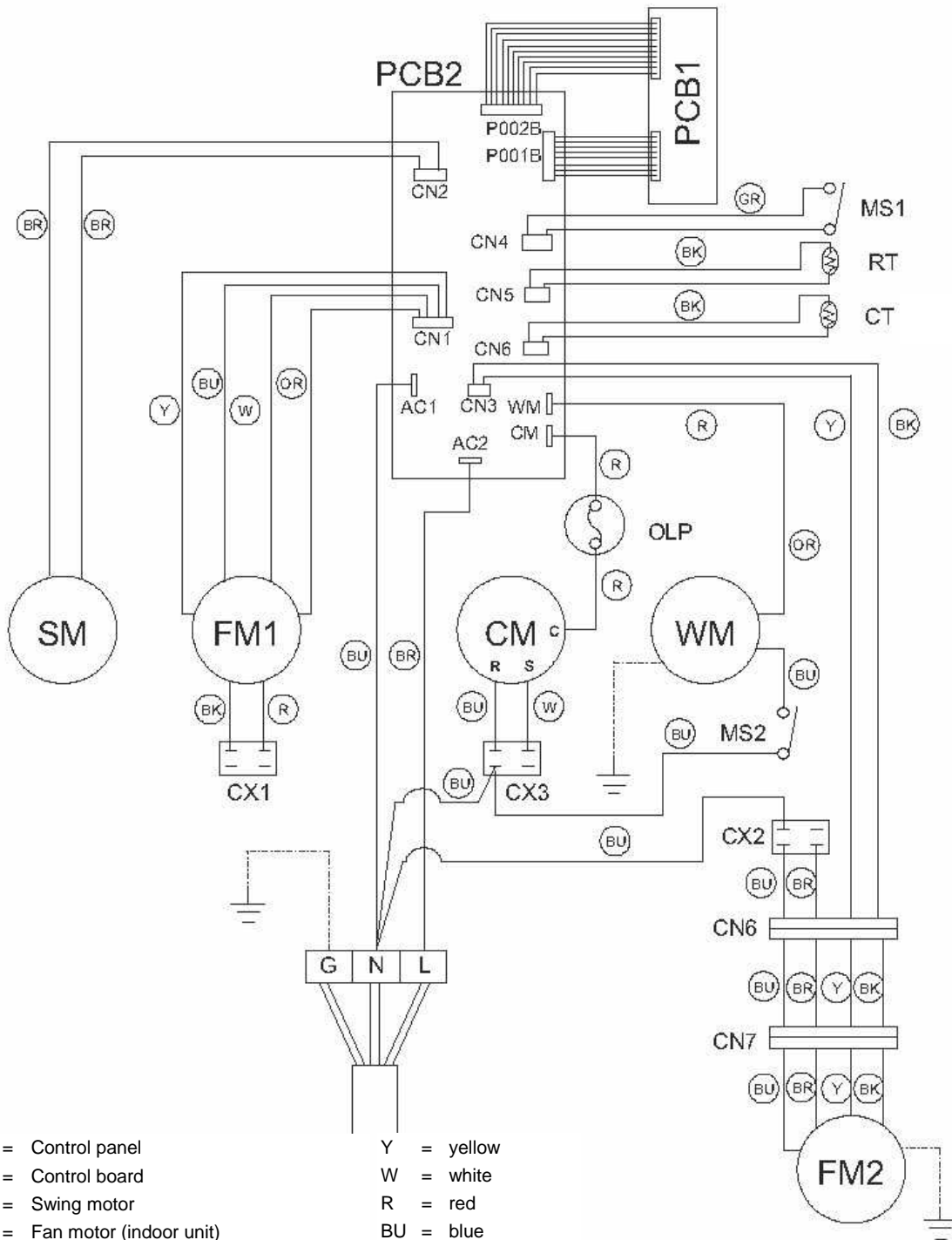
Technical Data

Model		RKL 460	RKL 480	RKL 480 S-Line
Nominal Cooling capacity ¹⁾	kW	4,18	4,84	
Energy efficiency class ¹⁾		B	B	
Energy efficiency ratio EER ¹⁾		3,05	3,01	
Working range (indoor unit)	°C	+16 to +35	+16 to +35	
Working range (outdoor unit)	°C	+15 to +45		
Refrigerant		R 407C		
Air performance max. indoor unit	m³/h	450 / 520 / 600	480 / 550 / 630	
Air performance max. outdoor unit	m³/h	640	680	
Sound pressure level indoor unit ²⁾	dB(A)	48 / 50 / 52		
Sound pressure level outdoor unit ²⁾	dB(A)	51		
Electrical connection	V / Hz	230 / 1~/ 50		
Protection class indoor / outdoor unit	IP	24 / X4		
Nominal power consumption	kW	1,37	1,61	
Nominal current ¹⁾	A	6,05	7,56	
Refrigerant charge	kg	0,89	1,03	
Connecting line, usable length	m	2.300, not extended		
Dimensions indoor unit	width	695		
	height	470		
	depth	335		
Dimensions outdoor unit	width	490		
	height	510		
	depth	230		
Weight indoor unit	kg	35,0	35,5	
Weight outdoor unit	kg	13,0	13,0	
Color		white	white	silver
Serial number		506...	507...	508...
Ref. No.		1613460	1613480	1613481

1) Room temperature of DB 27 °C / WB 19 °C, outdoor temperature of DB 35 °C / WB 24 °C

2) Distance 1m freefield conditions

Wiring Diagram



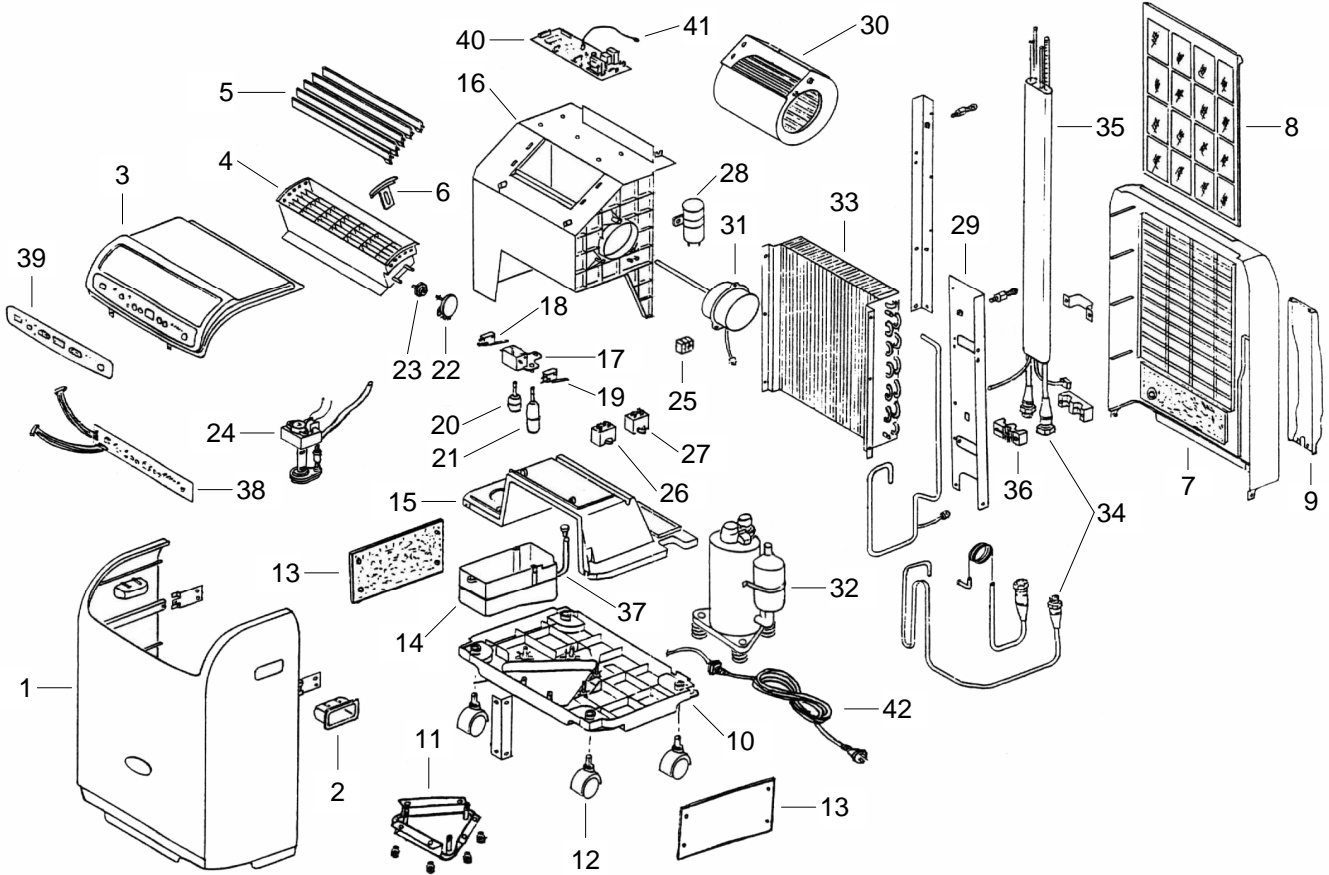
- PCB1 = Control panel
- PCB2 = Control board
- SM = Swing motor
- FM1 = Fan motor (indoor unit)
- FM2 = Fan motor (outdoor unit)
- WM = Water pump
- CM = Compressor motor
- OLP = Overload protection (compressor)
- CX1 = Capacitor fan motor (indoor unit)
- CX2 = Capacitor fan motor (outdoor unit)
- CX3 = Capacitor (compressor motor)
- TH = Thermostat sensor
- MS1 = Micro switch (water tank full)
- MS2 = Micro switch (water pump on/off)

- Y = yellow
- W = white
- R = red
- BU = blue
- BR = brown
- BK = black
- GR = grey
- OR = orange

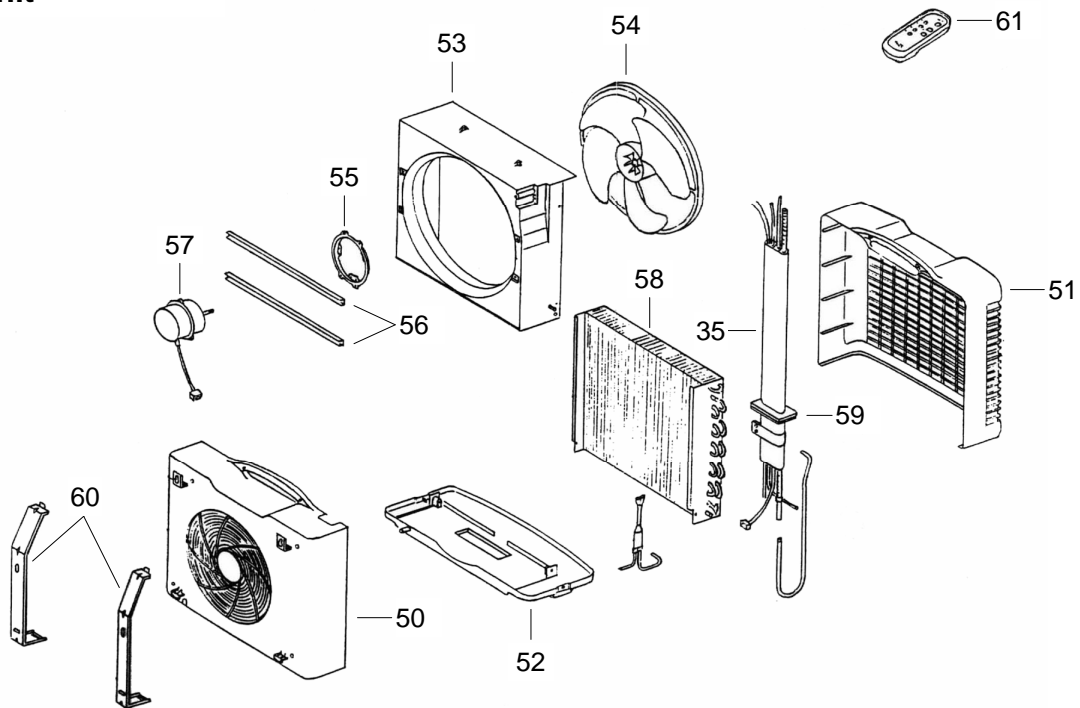
We reserve the right to make modifications in dimensions and construction in the interests of technical progress.

Exploded View

Indoor unit



Outdoor unit



We reserve the right to make modifications in dimensions and construction in the interests of technical progress.

Spare Part List RKL 460 / RKL 480


Indoor unit

No.	Designation	Ref. No.
1	Cover, front	1106060
	Cover, front RKL 480 <i>S-Line</i>	1106120
2	Handle	1106061
	Handle RKL 480 <i>S-Line</i>	1106021
3	Cover, top	1106062
4	Air outlet grill	1106063
5	Plate fins	1106064
6	Adjusting lever (plate fins)	1106065
7	Cover, rear	1106066
	Cover, rear RKL 480 <i>S-Line</i>	1106122
8	Dust filter	1106067
	Dust filter RKL 480 <i>S-Line</i>	1106123
9	Cover, connecting line	1106068
	Cover, connecting line RKL 480 <i>S-Line</i>	1106124
10	Cover, bottom	1106069
11	Base plate, cpl.	1106070
12	Transport wheels	1106071
13	Cover, side (left / right)	1106072
14	Water tank	1106073
15	Separating plate	1106074
16	Fan housing	1106075
17	Holder (micro switch)	1106076
18	Micro switch (water tank full)	1106077
19	Micro switch (water pump on/off)	1106078
20	Floater (water tank full)	1106079
21	Floater (water pump on/off)	1106080
22	Swing motor (plate fins)	1106032
23	Clutch (swing motor)	1106081
24	Water pump, cpl.	1106082
25	terminal strip	1106083
26	Capacitor, 1,5 µF (fan indoor unit)	1106002
27	Capacitor, 3,0 µF (fan outdoor unit)	1106003
28	Capacitor (compressor motor)	1106117
29	Frame	1106085
30	Fan, cpl. RKL 460-480	1106099
31	Motor (fan)	1106087
32	Compressor, cpl. RKL 460	1106115

Service and Guarantee

The units are repeatedly tested at the production site to ensure that they are working properly. If a malfunction occurs that cannot be eliminated by the operating personnel, please contact your dealer or contact person.

For the guarantee to be valid, the purchaser or his customer must completely fill out the "guarantee certificate" enclosed with all units and send it back to REMKO GmbH & Co. KG.

 **Operation/handling which does not comply with these instructions is prohibited!**
In cases of non-compliance, we assume no liability and the guarantee becomes null and void.

Outdoor unit

No.	Designation	Ref. No.
	Compressor, cpl. RKL 480	1106116
33	Evaporator	1106090
34	Coupling , Set (1x m / 1x w)	1106091
35	Connecting line, cpl.	1106092
36	Holder, cpl.	1106093
37	Water tube	1106094
38	Control panel	1106132
39	Labelling (control panel)	1106096
40	Control board RKL 460	1106097
	Control board RKL 480	1106130
41	Sensor (temperature)	1106098
42	Power cable with plug	1106043
50	Cover, rear	1106100
	Cover, rear RKL 480 <i>S-Line</i>	1106125
51	Cover, front	1106101
	Cover, front RKL 480 <i>S-Line</i>	1106125
52	Cover, bottom	1106102
53	Fan housing	1106103
54	Fan RKL 460-480	1106105
55	Mount (motor)	1106106
56	Angle support	1106107
57	Motor (fan)	1106108
58	Condenser	1106109
59	Seal	1106110
60	Wall holder	1106111
61	Infrared-remote control	1613135
	not shown	
	Set of fasteners parts cpl. (outdoor unit)	1106112
	Sensor, antifreeze RKL 480	1106131

Environment and Recycling



Important information about recycling!

Only authorised personnel they come into contact with the cold cycle. This ensures that refrigerant does not escape into the environment when the unit is being repaired.

Both the refrigerant and the system parts are subject to special requirements for disposal.



The refrigerant in use is a safety refrigerant. This means that, should damage occur, the quantities released will not cause injury to the respiratory systems of people and animals. Do not touch the liquid refrigerant as it can freeze the skin!

REMKO GmbH & Co. KG

Air-Conditioning and Heating Technology

D-32791 Lage • Im Seelenkamp 12

D-32777 Lage • P.O. Box 1827

Phone: +49 52 32 606 - 0

Fax: +49 52 32 606- 260

E-mail: export@remko.de

Internet: www.remko.de