



REMKO ATR 1 + 2

**Day/Night
Temperature Control**

Edition GB - P06

Operation Technology

Original REMKO

REMKO - powerful like a bear

Description of Device

The REMKO temperature control is an external, wall-mounted automatic day and night temperature control with separate preset options for the desired temperature.

Day and night temperatures can be set separately via the respective thermostats. The integrated weekly clock timer (TIMER with power reserve) lets heating operation be pre-programmed for the week.

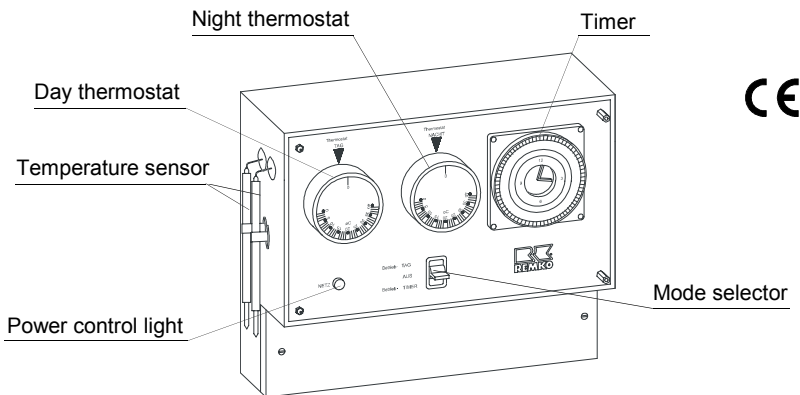
There are two models of the wall-mounted REMKO temperature control available:


1. Control without external cabling **ATR-1**

The electrical connection and the connection to the warm air heater have to be installed by authorised electrical personnel on the customer-side in accordance with the wiring diagram (page 7).

2. Ready for plug in control **ATR-2**

The electrical connection is performed via an attached power cord 230 V and a 10 m long control cable with thermostat plug for connection to the REMKO warm air heater with thermostat socket.



 **The REMKO temperature control may only be attached to the thermostat connection of the warm air heater intended for this purpose.**

Functionality

The desired room temperature is set on either the day or night thermostats.

The thermostats can be set using the 3-stage mode selector.

Mode - **DAY** The room temperature is only controlled via the day thermostat.

OFF No control function, the temperature function is switched off, the heating function is also off for the warm air heater.

Mode - **TIMER** The room temperature is controlled by the pre-programmed times and the set day/night temperatures.

Initial Operation

Position the housing with the temperature sensors in such a way that optimum sensor function is guaranteed.

If the temperature control is mounted on cold, outdoor walls, the customer must install an insulation panel between the wall and the thermostat.



The thermostat sensors may not be directly exposed to a particularly cold or hot stream of air.

⇒ **ATR-1; Temperature control without external cabling:**

- Have the temperature control connected and put into operation by authorised personnel in accordance with the wiring diagram (page 7).

⇒ **ATR-2; Ready for plug in temperature control:**

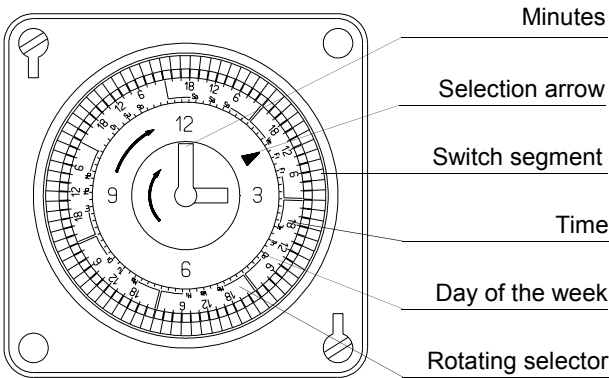
- Connect the plug of the thermostat cord to the thermostat socket of the warm air heater.
- Connect the power cord to a properly installed socket (~230V/50Hz). The green control lamp should now light up.



To maintain the timer function, the power current supply must be not be interrupted.

- The unit is ready for operation once the timer, the selection switch and the desired room temperature have been set.

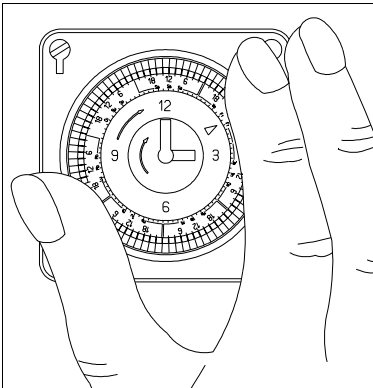
Timer display



Setting the day and time

This procedure is required:

1. For initial operation
2. When setting and resetting the clock for daylight savings time
3. After a long period with no power supply

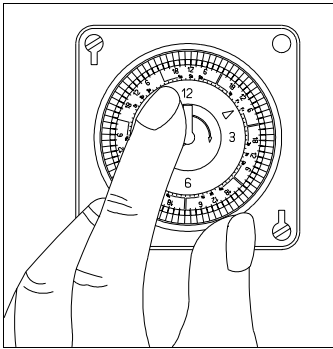


Rotate the switch in the direction of the arrow until the current day is next to the selection arrow.

E.g. Fr = Friday.



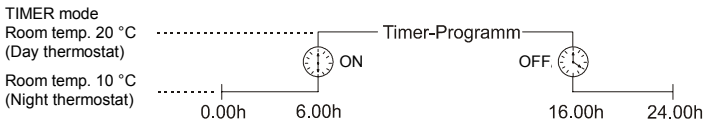
The timer has a power reserve (approx. 120 h). If the power supply to the temperature control is interrupted for a longer period of time, the timer must be reprogrammed.



Turn the minutes pointer in the direction of the arrow until the current time appears next to the selection arrow.

E.g. Fr 9:00 o'clock.

Setting and programming example:



Setting the Timer

The timer function can only be set if the switch segment has been pressed out!

Segment pressed out ⇨ Day temperature

Segment pressed in ⇨ Night temperature

The activation times are set via the green switch segments.

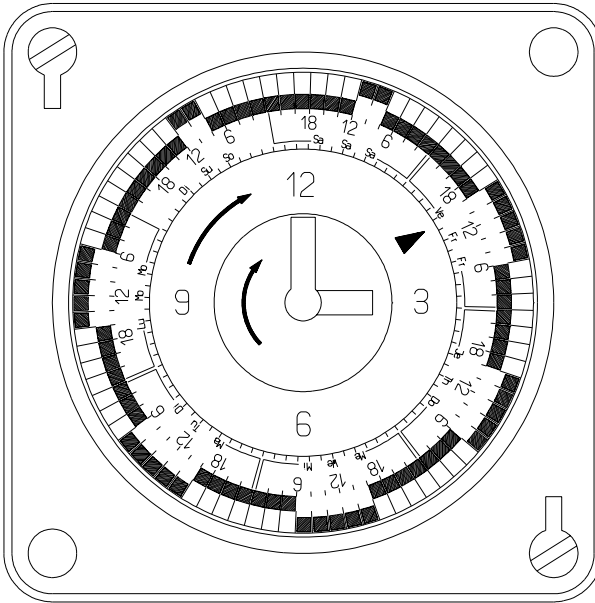
$7 \times 12 = 84 \text{ segment}$.

$1 \text{ switch segment} = 2 \text{ hours}$

The corresponding switch segments are pressed out using for example, a screwdriver.

Each day of the week is set individually.

Sample timer setting:



Current day: Friday (Fr)

Current time: 15:00 o'clock

Selection switch position: Timer mode

Timer activation functions:

Mo - Fr:

Switched off: 00:00 to 06:00 o'clock

Switched on: 06:00 to 16:00 o'clock

Switched off: 16:00 to 24:00 o'clock

Sa - So:

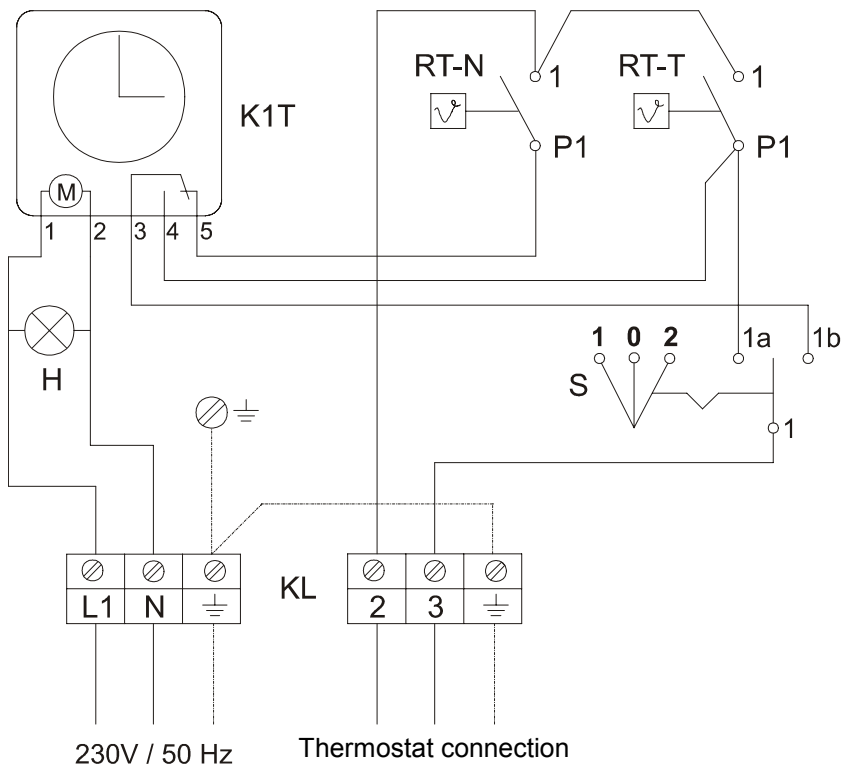
Switched off: 00:00 to 08:00 o'clock

Switched on: 08:00 to 12:00 o'clock


Switched off: 12:00 to 24:00 o'clock

The day thermostat is active during the times when the unit is switched on. When switched off, the night thermostat is active.

Wiring diagram



- H = Power control light (green)
- K1T = Timer
- KL = Terminal strip
- RT-N = Night thermostat
- RT-T = Day thermostat
- S = Mode selector (1 = Day, 0 = Off, 2 = Timer)

 **Only have the REMKO ATR-1 temperature control installed and put into operation by authorised personnel in accordance with the relevant regulations.**

Operation/handling which does not comply with these instructions is prohibited! In cases of non-compliance, we assume no liability and the guarantee becomes null and void.

REMKO GmbH & Co. KG

Klima- und Wärmetechnik

D-32791 Lage · Im Seelenkamp 12

D-32777 Lage · PO Box 1827

Phone +49 (5232) 606 - 0

Fax +49 (5232) 606260

E-Mail: info@remko.de

Internet: www.remko.de