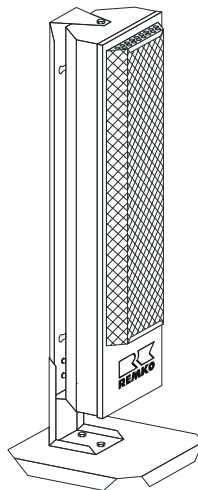




REMKO EST

Electric infrared radiator



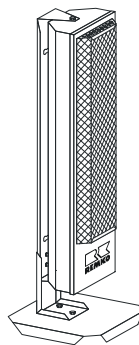
Operation
Technology
Spare Parts

Operating instructions

Make sure to read these instructions carefully before starting/using the unit!

**Our guarantee will become void when the unit supplied by us is used and installed for inadequate purposes, or maintained incorrectly, etc., or if it is changed without our prior consent.
Subject to alterations!**

Electric infrared radiator



Contents	Page	Contents	Page
Safety Instructions	4	Exploded view	6
Description of the Unit	4	Spare part list	6
Unit Assembly	4	Technical data	7
Starting	5	Wiring diagram	7
Unit shut down	5	Troubleshooting	7
Minimum distances	5	Service and guarantee	7
Maintenance	5		



Always keep these operating instructions near or on the unit!




Safety Instructions

Extensive tests have been conducted on the material, functionality and quality of the REMKO infrared radiator to ensure that it is a high-performance unit with a long service life.

Hazards may nevertheless arise if the unit is used by persons not familiar with its operation or if the unit is not used for its intended purpose.

- ◇ Make sure that the operating personnel of the radiator check the unit for visible defects on the operating and safety mechanisms and ensure that no protective devices are missing.
The supervisor is to be informed if problems are found.
- ◇ In case of faults which endanger the safe operation of the unit, it must be stopped.
- ◇ The unit may only be operated when assembled and for its intended purpose.
- ◇ Safety components (e.g. protective grilles) may not be disassembled or taken out of operation.
- ◇ Make sure to observe relevant local regulations and take appropriate safety measures when the unit is in operation.
- ◇ The unit may not be operated in rooms susceptible to explosions.
- ◇ Make sure that the unit is kept at a safe distance from flammable materials.
- ◇ The protective grille and parts of the surface become hot during unit operation.
- ◇ Only change the direction of the radiant heat when the unit is cool.
- ◇ Never insert foreign objects into the unit.
- ◇ If the unit is not monitored and is in continuous operation in closed rooms, suitable room thermostats must be used.
- ◇ The unit may never be left unattended while in operation if it is possible that unauthorised persons have access to it.
- ◇ Do not cover the unit during operation.
- ◇ The unit may not be operated directly beneath a wall socket.
- ◇ The unit may not be operated near bathtubs, showers, swimming pools, etc.
- ◇ Do not expose the unit to a direct stream of water.
- ◇ Make sure that water does not get inside the unit.
- ◇ Protect all electric cables outside the units from damage (e.g. caused by animals).

 **Extension cable may only be laid by authorised electricians based on the capacity of a unit, the length of the cable and in accordance with local requirements.**

Description of the Unit

The unit is operated with electric power and has been designed for universal, fully-automatic, smooth operation.

The unit is equipped with capsuled, electrical heating elements, a sturdy pedestal, a mounting bracket and connecting cable with plug.

This unit meets the basic safety and consumer health requirements outlined in the relevant EU regulations.

The unit is safe and easy to operate.

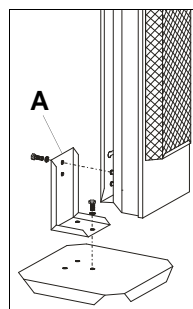
Areas of Application

- ◇ Point heating of workplaces in non fire-hazard fabrication rooms and halls;
- ◇ Permanent or temporary heating of rooms.
- ◇ Maintaining the temperature of components susceptible to frost.
- ◇ Defrosting of machines vehicles and fire-proof storing goods with keeping the prescribed distance of safety.

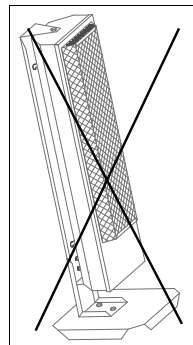
Unit Assembly


The unit has been supplied preassembled and can either be operated as a standing unit or be mounted on the wall.

Assembly as standing unit

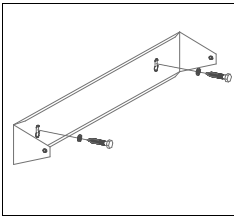


1. Attach the mounting angle A to the pedestal with the 3 M8 screws placing the washer underneath.
2. Attach the unit's mounting bracket to the mounting angle with the 2 M8 screws placing the washer underneath.
3. Place the unit securely on a level and non-combustible surface.

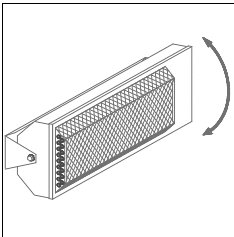


 **Make sure that a safe distance is maintained!**

Wall assembly



1. Remove the mounting bracket from the unit housing.
2. Attach the mounting bracket firmly in a horizontal position on a secure wall not made of combustible material making sure to maintain the required safety distances.



3. Reattach the unit housing to the mounting bracket.
The connecting cable should hang down.
4. Adjust the direction of the radiant heat as required and tighten the tightening screws on the side.

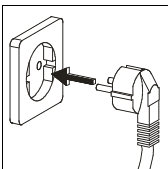
Starting

Only those persons who have been trained to operate of the unit may be responsible for operating and monitoring it.


Prior to initial operation, check the unit for any visual defects on the control and safety mechanisms.


Put the unit into operation as follows.

1. Make sure that the unit is placed firmly on the ground or that it is securely attached to the wall.

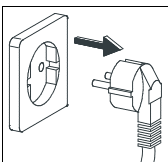


2. Check the power supply.
230V/1~ 50 Hz.
3. Insert the power plug into a correctly fused plug socket.
Fuse protection 16 A (inert).

 **The unit is to be connected to the power supply via a special supply point with fault current safety switch.**

 **Extension cables may only be used once they are unrolled.**

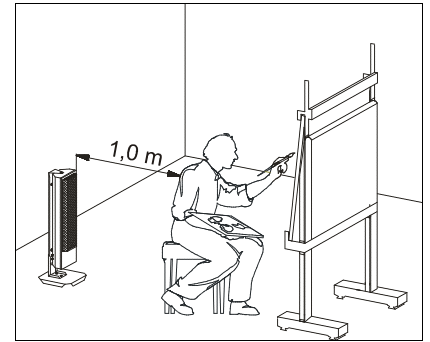
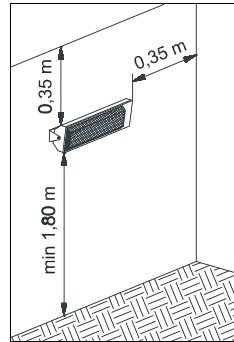
Unit Shut Down



1. Unplug unit from the power source.
2. Allow the unit to cool down.

Minimum distances


The minimum safety distances below must be maintained at all times.




Maintenance

Regular maintenance and observance of some basic principles are required to ensure a long service life and to keep the unit functioning properly.

According to the terms of use the units are to be checked as to their perfect operation by an expert when necessary, but at least once a year.

 **Prior to starting any work make sure to pull the mains plug out of the mains socket!**

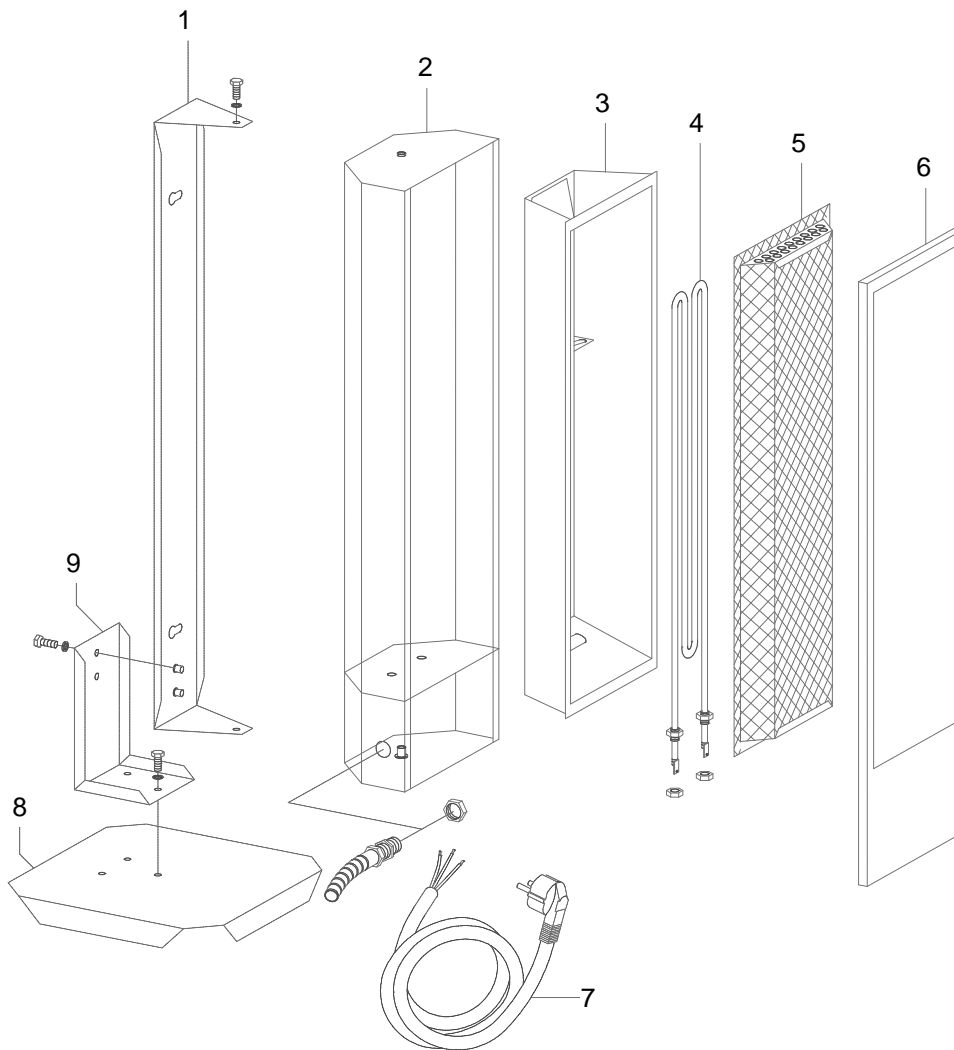
 **Maintenance work may only be performed by authorised personnel.**

Please pay attention to the following points:

- ◇ The unit is to be maintained and cleaned in regular intervals.
- ◇ The unit is to be kept free from dust and other deposits and is to be cleaned only with a dry or humid cloth.
Do not place the unit in a direct stream of water.
- ◇ Do not use any aggressive cleaning agents or those which are harmful or environmentally unfriendly.
- ◇ Do not use cleaning agents which contain solvents.
- ◇ Use only suitable cleaning agents to remove excessive dirt.
- ◇ Check safety devices regularly.
- ◇ Check protective suction and grids regularly and clean when necessary

 **Please conduct an electrical safety test after servicing the unit.**

Exploded View



Spare Part List

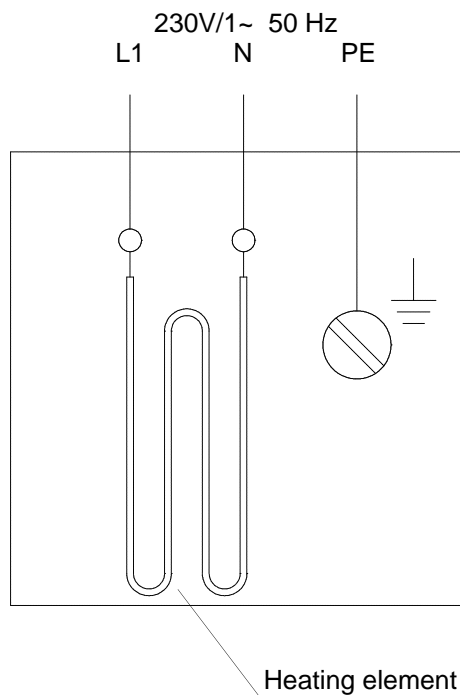
No.	Description	Ref.-No.
1	mounting bracket	1101206
2	outside casing	1101205
3	reflector	1101204
4	heating element	1101201
5	protection grille	1101202
6	housing frame	1101203
7	connecting cable with plug	1103035
8	pedestal	1101207
9	mounting angle	1101208

We reserve the right to make modifications in dimensions and construction in the interests of technical progress.

Technical Data


Model		EST
Nominal heat output	kW	2
Electrical connection	V	230/1~
Frequency	Hz	50
Rated current	A	9,1
Protection class		I
Power consumption	kW	2
Fuse protection	A (inert)	16
Dimensions- Wall unit		
	Length	mm 195
	Width	mm 770
	Height	mm 225
	Weight	kg 7,7
Dimensions- Standing unit		
	Length	mm 305
	Width	mm 305
	Height	mm 905
	Weight	kg 10,0

Wiring Diagram



Troubleshooting

 Prior to starting any work make sure to pull the mains plug out of the mains socket!

 Maintenance work may only be performed by authorised personnel.

If your unit is not heating, follow these steps to find the problem.

1. Check main fuse.
2. Check main plug.
3. Check connecting cable.
4. Make sure the heating resistor is working.
The heating resistor may only be replaced by an authorised service centre.


Should the unit still not work after performing these checks, please contact an authorised service centre.

 Please conduct an electrical safety test after servicing the unit.

Service and Guarantee

Any claims under guarantee regarding materials can be accepted only when the orderer or his customer has filled in completely the "guarantee certificate" which is enclosed with every REMKO-heater and has returned it to REMKO GmbH & Co. KG in due time after the unit's sale and commissioning.

The units are factory tested on faultless function. If any failure occurs though which cannot be eliminated by the operating person, please contact your dealer or contact person.

An operation/use other than that indicated in these instructions is prohibited!
 In the case of non-observation we will not be held responsible and our guarantee will become void.

Correct usage

The units are to be used only for heating and ventilation purpose in industrial or commercial application because of their construction and equipment.

If specification of the manufacturer or legal regulations, are not followed or if unauthorised changes are made on the unit, the manufacturer is not liable for resulting damages.

REMKO GmbH & Co. KG

Klima- und Wärmetechnik

D-32791 Lage • Im Seelenkamp 12

D-32777 Lage • PO Box 1827

Phone +49 (5232) 606 - 0

Fax +49 (5232) 606260